

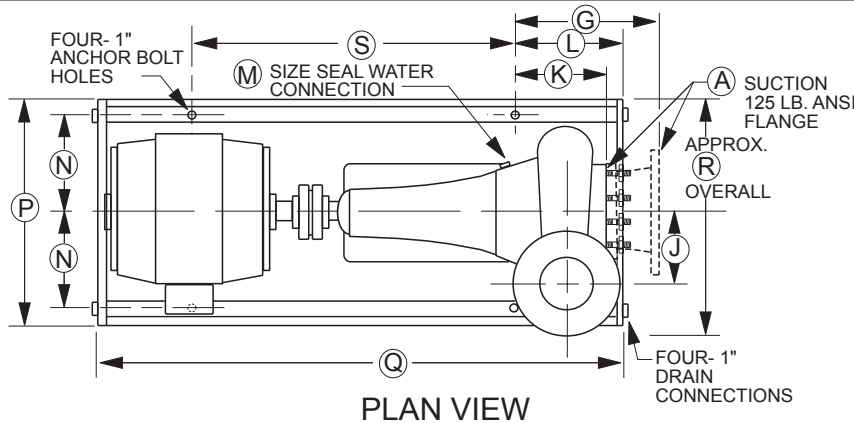


SECTION 2110

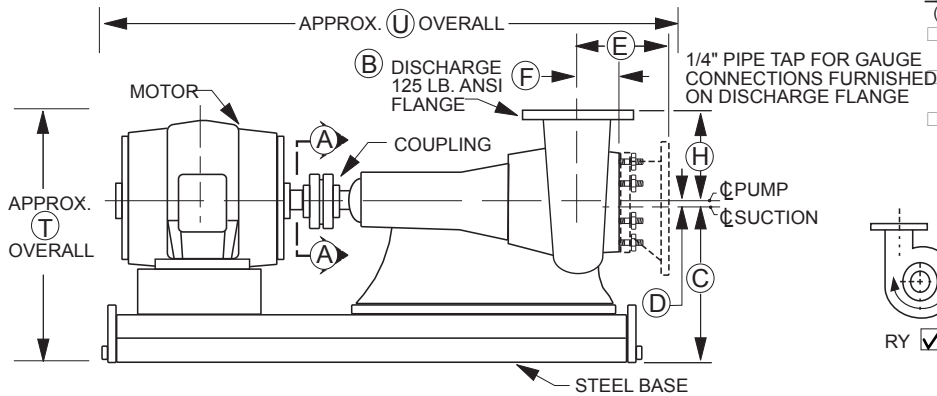
OUTLINE DRAWING TYPE HBB

SOLIDS-HANDLING WASTEWATER PUMPS

OUTLINE DWG #		SES-3192
S.O.		1971252074
JOB:		UMHJSA - RAS
ISSUE	REVISION	DATE



PLAN VIEW

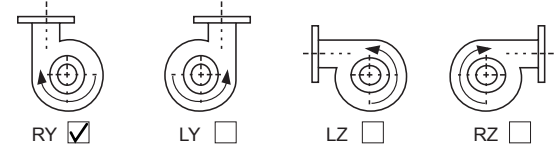


ELEVATION

LIST OF EQUIPMENT FURNISHED

- 3 (QTY.) HBB LSC8 FRAME PUMP(S)
- FOR _____ GPM AT _____ FT. TDH
- WITH DISCHARGE POSITION RY
- COUPLING AND STEEL BASE.
- _____ HP, _____ RPM, _____ VOLT,
- _____ PHASE, _____ HERTZ, HORIZONTAL,
- _____ MOTOR(S),
- (ENCLOSURE)
- FRAME SIZE _____.

ROTATION & POSITION



SECTION A-A

(T) DIMENSION BASED ON ODP MOTOR ENCLOSURE

NOT CERTIFIED FOR CONSTRUCTION PURPOSES
REFER TO FACTORY FOR CERTIFIED INSTALLATION DRAWINGS

TABLE OF DIMENSIONS

PUMP FRAME	A	B	C	D	E	F	G	H	J	K	L	M	N	P	Q	R	S	T	U	MOTOR FRAME	✓
LMC4	4	4	12	0	--	2 15/16	--	7 1/2	6	12 11/16	8 3/8	1/4	9	21 1/2	45	21 1/2	28 1/2	20 1/2	52	143T ~ 215T	
LLC4	4	4	12	0	--	2 15/16	--	8	6 7/16	12 11/16	8 3/8	1/4	9	21 1/2	45	21 1/2	28 1/2	20 1/2	64	145T ~ 256T	
LM4	6	4	13 1/4	3/4	7	--	10 1/4	9 3/4	7	--	8 3/8	3/8	12	27 1/2	62	25 1/2	45 1/4	23 1/2	64	184T ~ 284T	
OM4	6	4	14	0	6	--	9 1/4	9	7	--	8 3/8	3/8	12	27 1/2	62	25 1/2	45 1/4	23 1/2	65	184T ~ 324T	
LL4	5	4	17	0	--	4 1/2	--	10 5/8	8 7/8	6 1/2	8 3/8	3/8	12	27 1/2	62	27 1/2	45 1/4	28 1/2	65	254T ~ 326T	
OL4	5	4	17	0	--	4 1/2	--	10 5/8	8 7/8	6 1/2	8 3/8	3/8	12	27 1/2	62	27 1/2	45 1/4	28 1/2	65	254T ~ 326T	
5856	5	4	12 9/16	7/16	5 3/4	--	18	12 7/16	8 5/16	--	8 3/8	3/8	11 3/4	27	56	27	39 1/4	25 1/2	69	213T ~ 324T 326T ~ 364T	
SP5	6	5	19	0	--	3 3/4	--	12	9 9/16	2 3/4	8 3/8	3/8	12 3/4	29	71 1/2	30	54 3/4	31	74	254T ~ 326T	
													14	31 1/2	77	31 1/2	60 1/4		79	364T ~ 365T	
																			81	404T ~ 405T	
LMC6	6	6	17	0	--	4 5/16	--	10 1/2	9 1/4	6 5/16	8 3/8	3/8	12	27 1/2	62	28 1/2	45 1/4	27 1/2	64	254T ~ 326T	
OMC6	6	6	17	0	--	4 5/16	--	10 1/2	9 1/4	6 5/16	8 3/8	3/8	12	27 1/2	62	28 1/2	45 1/4	27 1/2	64	254T ~ 326T	
LS6	8	6	18 1/4	0	--	5 9/16	--	12	10	6 9/16	8 3/8	3/8	12 3/4	29	71 1/2	31	54 3/4	31 1/2	74	254T ~ 364T	
OS6	8	6	18 1/4	0	--	4 3/8	--	12	10	5 3/8	8 3/8	3/8	12 3/4	29	71 1/2	31	54 3/4	31 1/2	74	254T ~ 364T	
LSC8	8	8	18 1/4	0	--	5 9/16	--	12	10	6 5/8	8 3/8	3/8	12 3/4	29	71 1/2	31	54 3/4	30 1/2	74	254T ~ 364T	
LS8	10	8	22	0	--	6 3/8	--	14	12	6 3/8	8 3/8	3/8	12 3/4	29	71 1/2	33 1/2	54 3/4	36	74	284T ~ 325T	
													14	31 1/2	77	36	60 3/4		80	364T ~ 404T	
													12 3/4	29	71 1/2	30 1/2	54 3/4		74	286T ~ 365T	
OS8	10	8	21	0	--	5 1/8	--	13	12	5 1/8	8 3/8	3/8	14	31 1/2	77	36	60 1/4	34	79	404T ~ 405T	
													14	31 1/2	77	36	60 1/4		82	444T	
													12 3/4	29	71 1/2	35	54 3/4		74	286T ~ 365T	
OSC10	10	10	21	0	--	5 1/8	--	13	12	5 1/8	8 3/8	3/8	14	31 1/2	77	36	60 1/4	34	79	404T ~ 405T	
													14	31 1/2	77	36	60 1/4		82	444T	
													12 3/4	29	71 1/2	35	54 3/4		74	286T ~ 365T	
LLC10	12	10	23 1/2	0	--	5 15/16	--	18	14 1/2	4 15/16	8 3/8	3/8	16 3/4	37	90	41	73 1/4	42 1/2	90	364T ~ 405T	
OLC10	12	10	23 1/2	0	--	6 13/16	--	18	14 1/2	4 15/16	8 3/8	3/8	16 3/4	37	90	41	73 1/4	42 1/2	90	364T ~ 405T	
LL10	12	10	26	0	--	7 3/8	--	22	16	5 1/8	8 3/8	3/8	16 3/4	37	90	42 1/2	73 1/4	48 1/2	95	364T ~ 365T	
OLC12	14	12	26	0	--	7 3/8	--	22	16	5 1/8	8 3/8	3/8	16 3/4	37	90	44	73 1/4	48 1/2	92	365T ~ 405T	
																			95	444T	

REVISIONS				
ZONE	REV	DESCRIPTION	DATE	APPROVED

MODEL BG3
BEVEL GEAR

HANDWHEEL

CHAIN
HANGDOWN

CHAINWHEEL

CHROME STEEL
STEM

POWDER COATED
YOKE TOPWORKS

MAG BRONZE
STEM NUT

NITRILE
SEALS

TEFLON
PACKING

PHENOLIC
SCRAPERS

304 STAINLESS
E-COATED GATE

CAST DUCTILE IRON
EPOXY COATED
(2) PIECE BODY

MATERIAL SPECIFICATION TABLE		
Component	Material	Specification
VALVE BODY	CAST DUCTILE IRON	ASTM A536
VALVE GATE	304 STAINLESS STEEL	ASTM A240
STEM	CHROME STEEL	ASTM A276 (430F)
STEM NUT	MANGANESE BRONZE	ASTM C385 00
YOKE TOPWORKS	CARBON STEEL	ASTM A36
SEALS	NITRILE	----
SCRAPERS	PHENOLIC	G11
SEAL PACKING	TFE TEFLON	----
THRUST BEARING	MANGANESE BRONZE	ASTM C385 00

VALVE SIZE	DIMENSIONS										
	A	B	C	D	E	F	G	H	J	K	
* 14"	14.0	3.00	18.75	21.0	1'-8	34.21	-	0.51	8	13.30	

H=DEPTH OF BLIND TAPPED HOLES IN CHEST AREA OF VALVE
J= TOTAL NUMBER OF BLIND TAPPED HOLES IN CHEST AREA OF VALVE
* VALVE SHOWN

NOTICE:

CONFIDENTIAL INFORMATION!

The information contained in this document is the confidential and proprietary information of WEY VALVE INC. and may not be used by any person or for any purpose without the prior written consent of WEY VALVE INC. DUPLICATION OF ANY PART OF THIS DOCUMENT OR DISCLOSURE OF ANY INFORMATION SET FORTH HEREIN IS EXPRESSLY PROHIBITED.

THIS DRAWING PRESENTED FOR:
 CERTIFICATION CERTIFIED BY: T. MARTIN DATE: 4-9-21
COMPANY: WEY VALVE INC.

CUSTOMER NAME: C/O EDWIN ELLIOT AND CO.
LOCATION: LAFAYETTE HILL, PA
QUOTE NUMBER: WQ-53777
WEY VALVE SALES ORDER NUMBER: WV-XXXXX

WEY WEY VALVE INC.
SHANNON, MS

14" MODEL VM VALVE WITH BG3 BEVEL GEAR, NON-RISING STEM & CHAINWHEEL

SIZE	DRAWN BY	DWG NO.	REV
D	T. MARTIN	D-6219	.
SCALE 1=1	DATE	4-9-21	SHEET 1 OF 1

